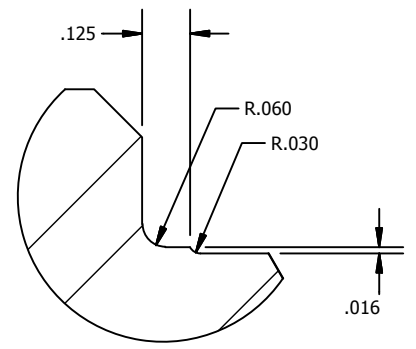
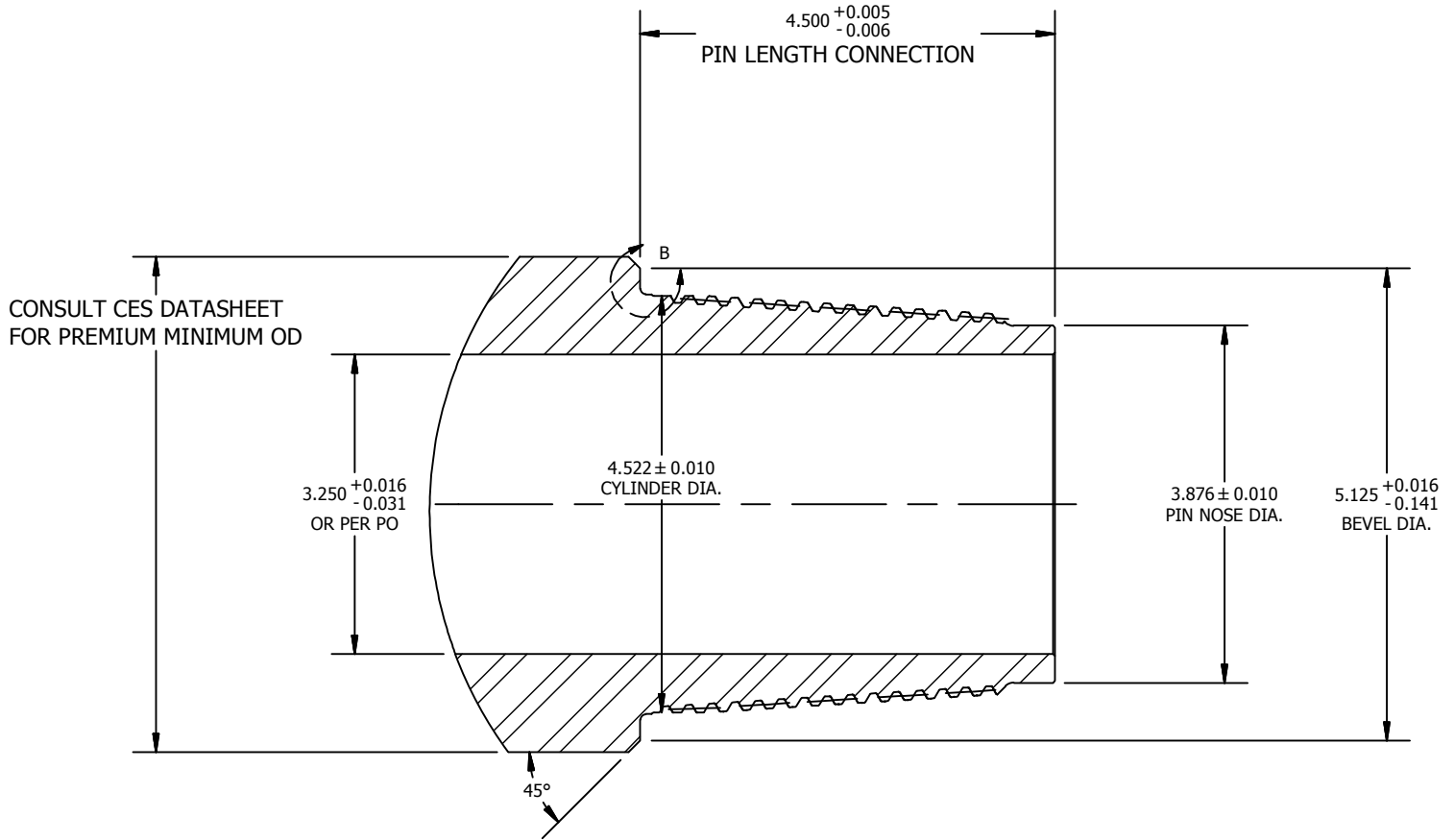


THREAD FORM REFERENCE INFORMATION:
 API V0.076 THREAD FORM
 4 THREADS PER INCH
 1.5" TAPER PER FOOT



DETAIL B



NOTES:

1. ALL DIMENSIONS IN INCHES UNLESS OTHERWISE NOTED
2. OD AND ID MEASUREMENTS SHALL BE REFERENCED PER PO AND CES DATASHEET

DATE	2/18/2016
DRAWN BY	AS
CHK'D BY	GB
DATE	2/18/2016
DATE	2/18/2016
REV.	0



Command Energy

COMMENTS:
 DRAWING TO BE USED FOR FIELD INSPECTION ONLY. THIS IS FOR USED, PHOSCOATED, COLD-ROLLED, AND POST-MAKE-AND-BREAK CONNECTIONS ONLY

DIMENSIONS WITHOUT TOLERANCES ARE FOR REFERENCE INFORMATION ONLY

TITLE		
CET43 PIN FIELD INSPECTION DRAWING		
DWG. NO. CET43 Pin Field Inspection Drawing		
SCALE	SHEET	REV.
NONE	1 OF 1	0