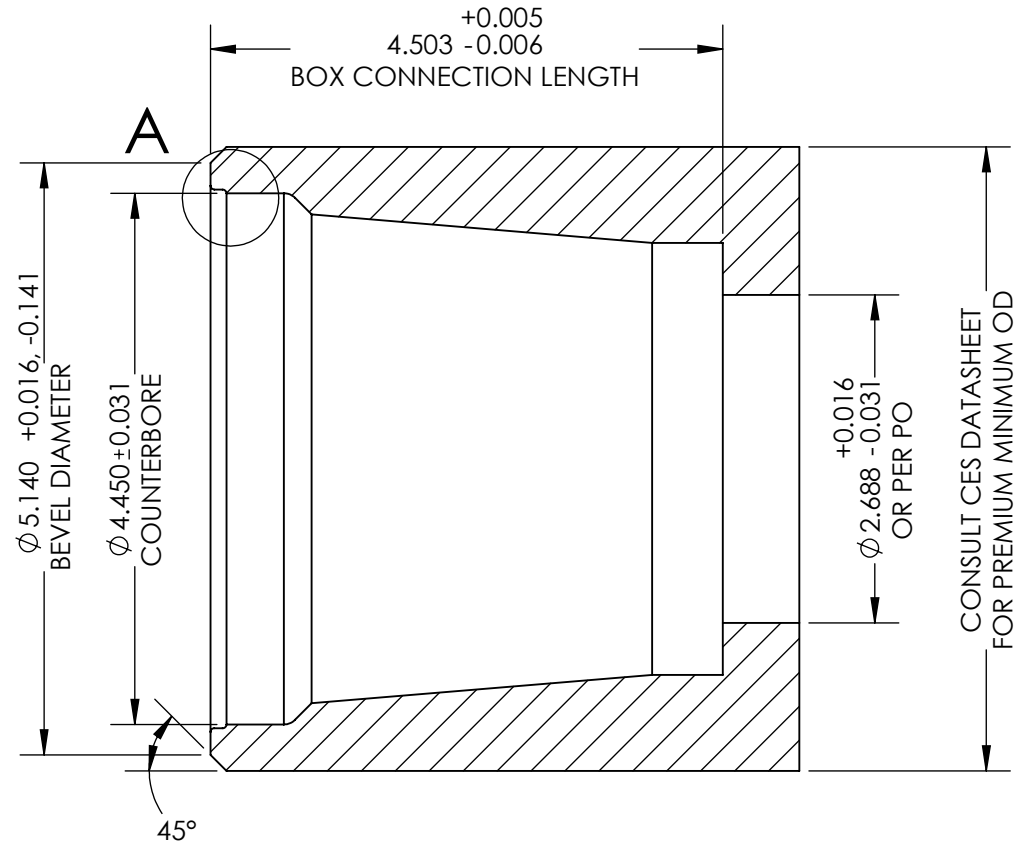


**DETAIL A
SCALE 2 : 1**

THREADFORM REFERENCE INFORMATION:
 API V0.038R THREADFORM
 4 THREADS PER INCH
 2.0" TAPER PER FOOT



- NOTES: 1. DIMENSIONS WITHOUT TOLERANCES ARE FOR REFERENCE INFORMATION ONLY
 2. OD AND ID MEASUREMENTS SHALL BE REFERENCED PER PO AND CES DATASHEET
 3. ALL DIMENSIONS IN INCHES UNLESS OTHERWISE NOTED
 4. BEVEL DIAMETER UPDATED

	NAME	DATE
DRAWN	SM	1/05/16
CHECKED		
ENG APPR.		
MFG APPR.		
Q.A.		
COMMENTS: DRAWING TO BE USED FOR FIELD INSPECTION ONLY. THIS IS FOR USED, PHOSCOATED, COLD-ROLLED, AND POST-MAKE-AND-BREAK CONNECTIONS ONLY		



Command Energy

DWG. NO.
CET40 Box Field Inspection Drawing

REV
2

SCALE: 1:4

SHEET 1 OF 1